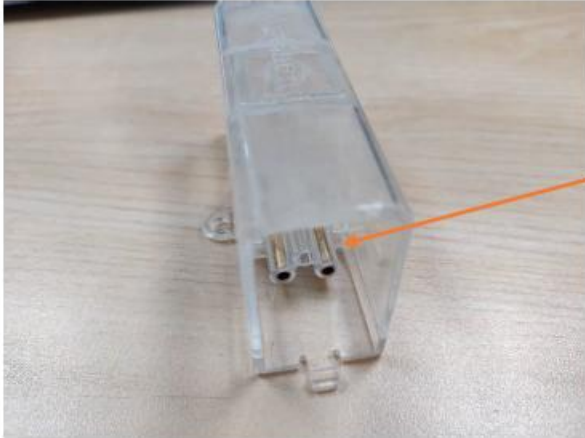




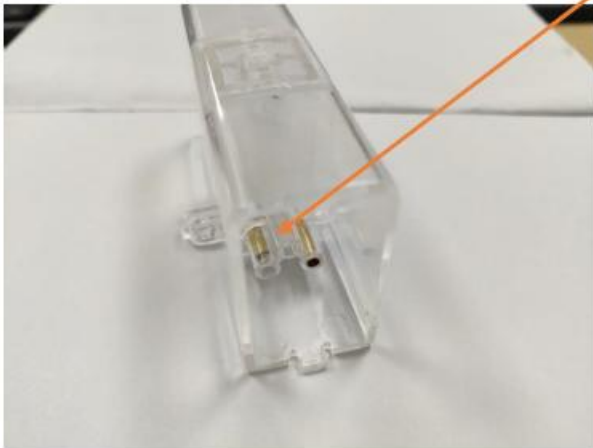
Car Workshop Light Installation Manuel

Model: ZT/C202

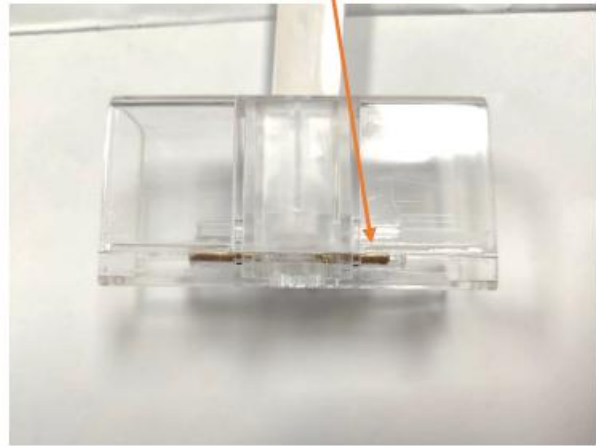
WARNING TIPS



The well-made copper parts



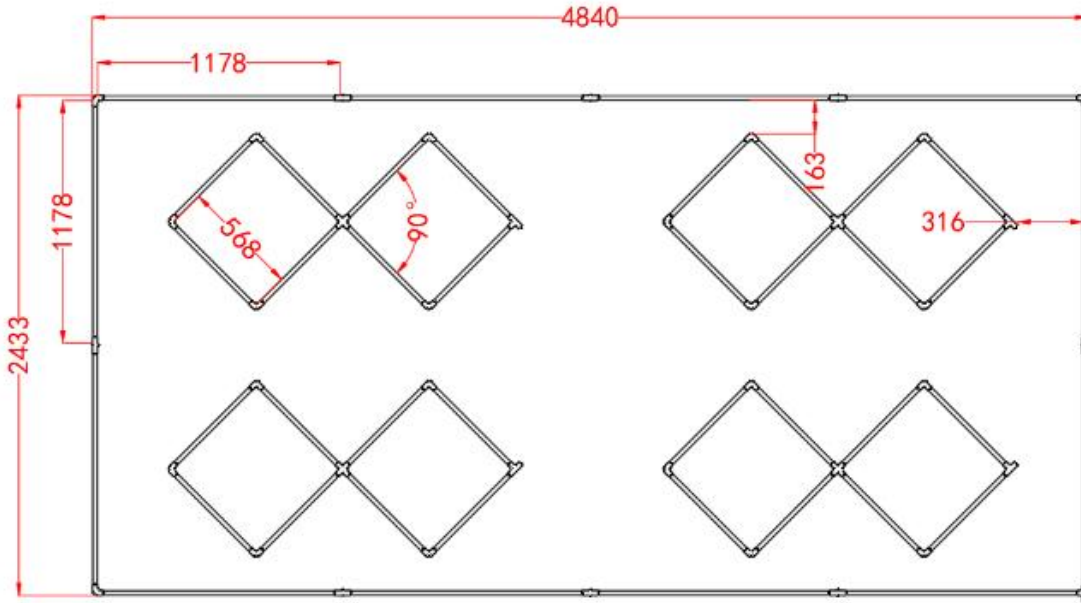
The deformed copper parts
by violence



Please do not match the connectors by violence, it would burn the whole set of lamps.

If it does not match the lamps well, please try to joint accurately or change the lamp, do not broken the connectors by violence. It is suggestable to test before powering in by the AVO meter.

1.Design sketch (Please carefully read the “Circuit Diagram” before installing)

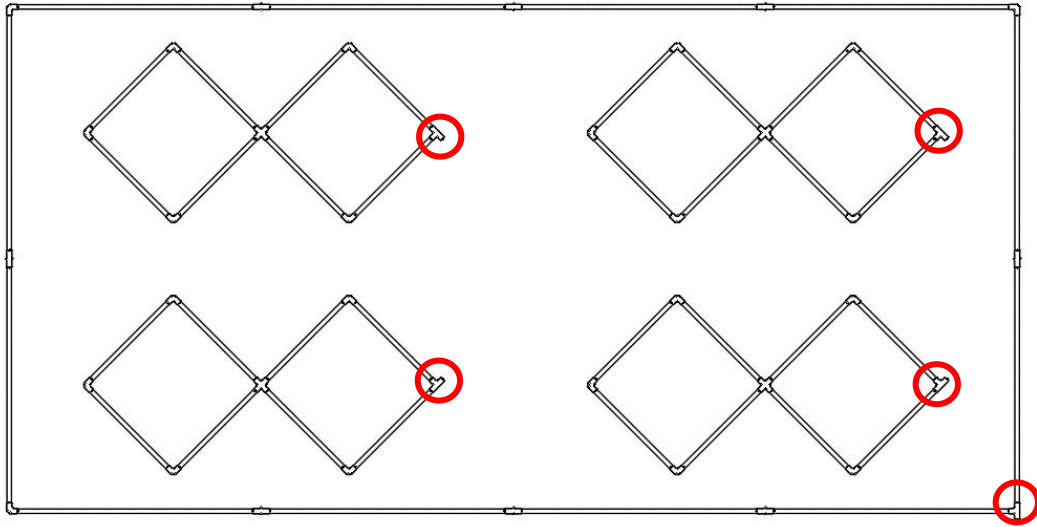



Technical Data

No.	Name	Specification	QTY	Unit	PIC
1	tubes	Size: 1175*20mm Power: 16w	12	pieces	
2	tubes	Size: 565*20mm Power: 8w	32	pieces	
3	connectors	90° 2-way white	23	pieces	
4	connectors	180° 2-way white	8	pieces	
5	connectors	4-way connection	4	pieces	
6	connectors	T-shaped 3-way white	5	pieces	
7	The cable	1-end	5	pieces	
8	installation instruction	-	1	pieces	

Voltage	AC220V
Power	448W
Current	4A

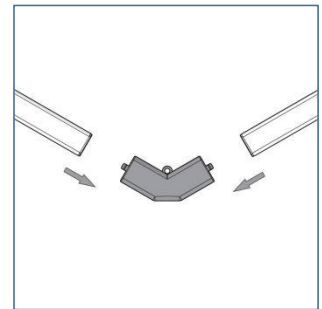
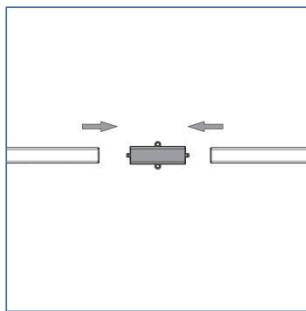
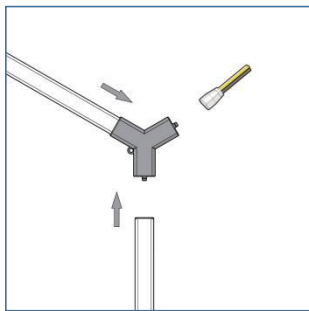
2.Connect the tubes in series as follows;



1. The 4  connect as follow picture

2. 2-way connection

3. Other 2-end connection connect as follow picture

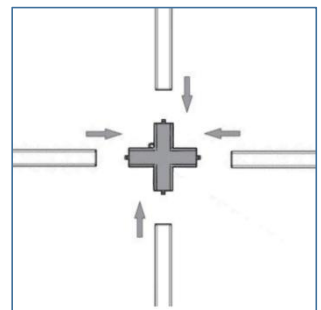


CAUTION!!

1. Please be careful while use the light bars connect with the connectors, or it would hurt the copper needle in the connectors;
2. TEST BEFORE PUTTING IT INTO THE CEILING;
3. There is only 6 point for wire connection of the whole structure.

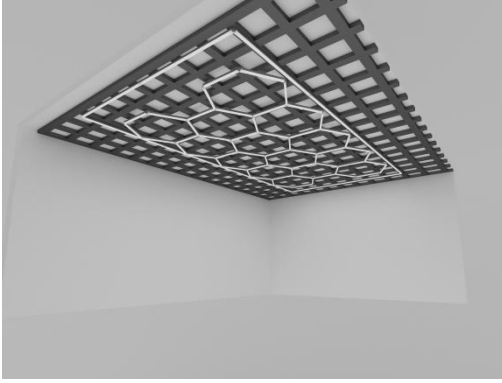
Red——L
 Blue——N
 Yellow——E

4. 4-way connection

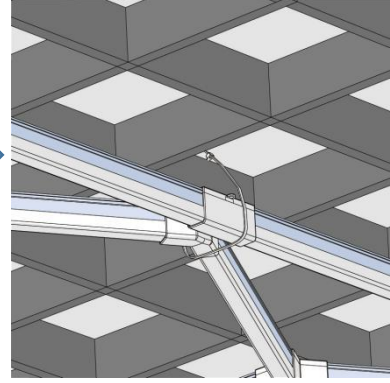


2. How to install it on the ceiling.

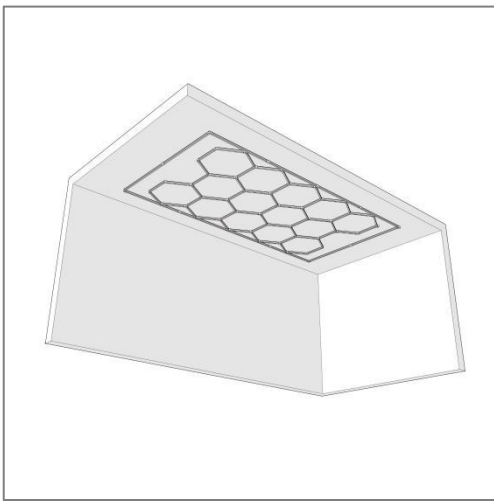
A grid roof



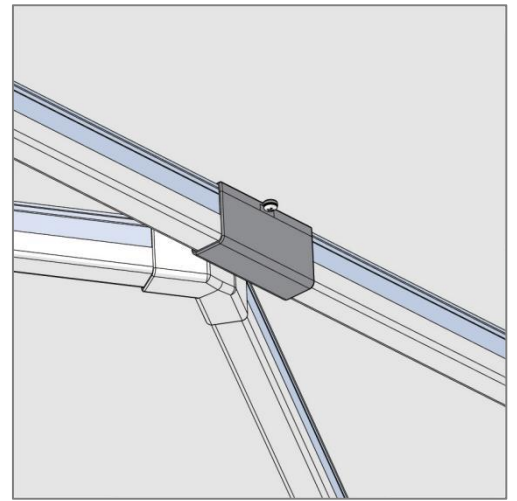
Tie it with ribbons



B flat roof



Screw the connector from the hole to the ceiling directly



Remarks:

1. There should be 6 wires out to connect with 220V;
2. Please install by professional electrician;